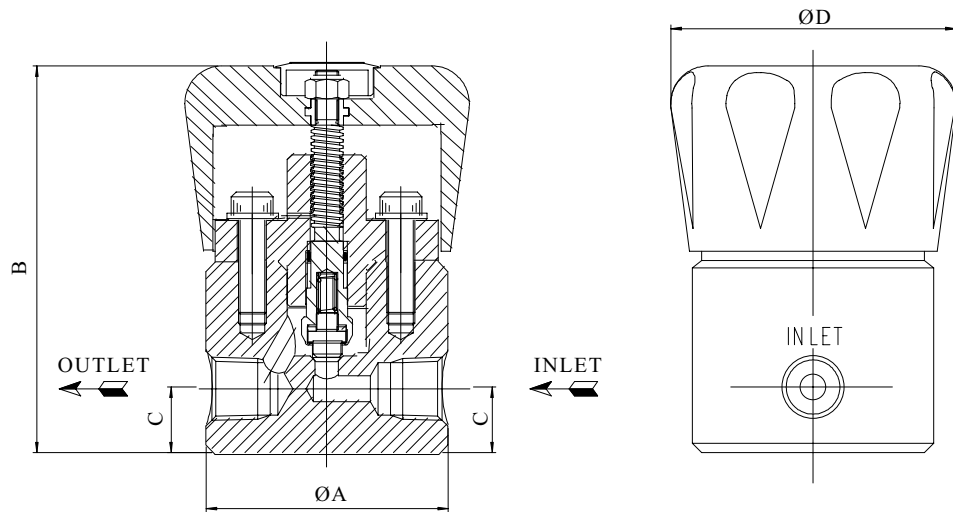


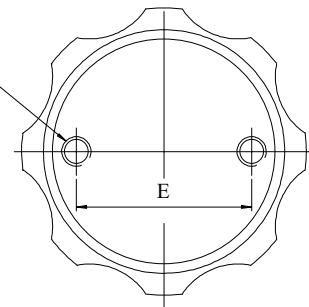


SERIES 2000 STOP VALVES - MANUAL VERSIONS

HP2000 & HP2100 - MANUAL STOP VALVES



2 MOUNTING HOLES
M8 x 16 DEEP



FEATURES:

- Large flow capacity.
- High Working Pressures.
- Corrosion Resistant.
- Available in a range of sizes.
- Mountable from the base.

SPECIFICATION:

- Medium : High purity gases.
- Maximum inlet pressure : 400 barg, (5800 psig).
- Operating temperature range : -20 to 150°C.
- Connection type : NPT female.

MATERIALS OF CONSTRUCTION:

- Valve Body : Bar stock 316 stainless steel.
- Seat & Spindle : Stainless steel AISI 440C (Monel 500 used for oxygen applications)
- Seals : Viton E60C.
- Other materials available on request.

APPLICATIONS:

- Cylinder filling.
- Gas supply systems.
- High purity test systems.

OPTIONS:

- Hard and soft seats available.
- 4mm, 8mm and 12mm valves.
- Welded in-line versions available.
- Other sizes available on request.

Model	A (mm)	B (mm)	C (mm)	D (mm)	E (mm)	Inlet/Outlet Ports	Valve Size (mm)
HP2000	57	89	12	72	38	1/4"NPT Female	4
HP2100	83	131	22	148	60	1/2"NPT Female	8