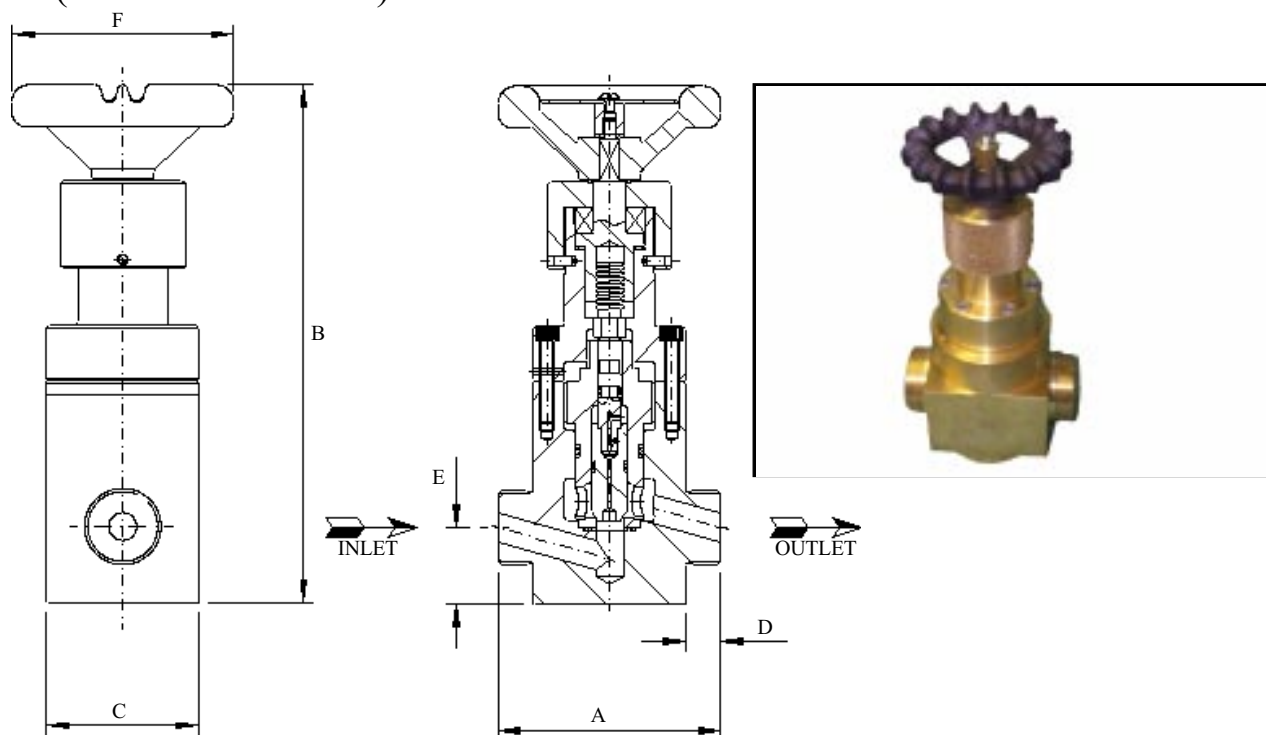




SV130 MANUAL STOP VALVE RANGE

(BAM APPROVED)



FEATURES:

- Large flow capacity.
- High working pressures.
- Available in a range of sizes.
- Proven Reliability.

SPECIFICATION:

- Medium : Oxygen and inert gases
- Maximum inlet pressure : 420 barg, (5800 psig).
- Operating temperature range : -20 to 70°C.

MATERIALS OF CONSTRUCTION:

- Bonnet : Bar stock Brass BS2874:CZ121
- Valve Body : Bar Stock Brass BS2874:CZ115
- Seat : Monel 500 heat treated to BS3076:NA18
- Seals : Viton E60C

DIMENSIONS:

Model	A	B	C	D	E	F	Inlet / Outlet Ports	Valve size
SV130	102	237	70	16	35	102	1 3/8"-12UNF-3A	12.5
SV131	133	247	83	25	45	102	2 5/16"-12NS-3A	20
SV132	118	247	83	17.5	42	102	2"-12UN-3A	16

APPLICATIONS:

- Cylinder filling.
- Gas supply systems.
- High purity test systems.

VALVE SIZES:

- 12.5mm
- 16.0mm
- 20.0mm

APPROVALS:

- BAM approval for use with oxygen at 420 barg.

OPTIONS:

- Standard range of couplings available.
- Other port threads available (BSP, etc.).
- Other materials on request.

HALE HAMILTON